

# COMPONENT SPECIFICATION

**SERIES NAME** MOTOR RUN S2/P2 DUAL CAPACITOR FOR  
AIRCONDITIONER - FASTON TERMINALS

**DEKI SERIES NO.** 318



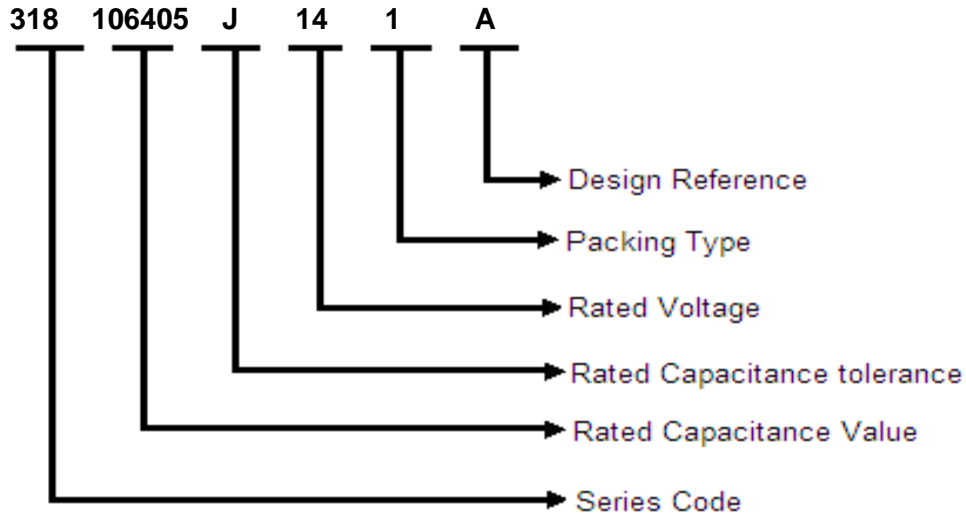
**GIVEN BY:** DEKI ELECTRONICS LTD

**DEKI ELECTRONICS LTD**

B-20, SECTOR-58, NOIDA 201301

Tel: +91 120 2585457/58 • Fax: +91 120 2585289 • Email: [rd@dekielectronics.com](mailto:rd@dekielectronics.com)

## Part Number Description



## Rated Capacitance

Six-digit (126 405) indicate rated capacitance in Pico Farad (First two digits indicate value & third digit indicates number of zeroes to be suffixed to first two digits & Forth and Fifth digits indicate value & sixth digit indicates number of zeroes to be suffixed to fourth and fifth digits ).

For example:-

126 405

First two digits indicate value & third digit indicates number of zeroes to be suffixed to first two digits

$126 = 12 \times 10^6 = 12000000 \text{ pF} = 12000 \text{ nF} = 12 \mu\text{F}$

Fourth and Fifth digits indicate value & sixth digit indicates number of zeroes to be suffixed to fourth and fifth digits

$405 = 40 \times 10^5 = 4000000 \text{ pF} = 4000 \text{ nF} = 4 \mu\text{F}$

## Capacitance Tolerance

In 3<sup>rd</sup> group of the part number-

F =  $\pm 1\%$ , G =  $\pm 2\%$ , H =  $\pm 2.5\%$ , I =  $\pm 3.5\%$ , J =  $\pm 5\%$ , K =  $\pm 10\%$ , L =  $\pm 15\%$ , M =  $\pm 20\%$ , N =  $\pm 40\%$

## Rated Voltage

In 4th group of the part number, two numeric digits indicate AC voltage rating.

## Rated Voltage Codification

For AC Rated Voltage															
01	02	03	04	05	06	07	08	09	10	11	12	13	14	15	16
190 VAC	250 VAC	275 VAC	305 VAC	310 VAC	440 VAC	500 VAC	600 VAC	700 VAC	63 VAC	230 VAC	330 VAC	400 VAC	450 VAC	350 VAC	300 VAC

## Packing Type

1- Bulk Packing

## General Data

### Features

- Good Self-healing properties
- Minimal internal power losses
- High insulation resistance
- IS 2993 compliance
- Wide climatic category
- RoHS Compliance
- Over pressure disconnecter

### Construction

- Dielectric: polypropylene film
- Aluminium case
- Polyurethane Resin
- Dry type

### Terminals

- Tin plated Faston terminals

### Applications

- To be used as motor run capacitor

## Reference Data

Climatic testing class according to IEC 60068-1	40/85/21
Rated Capacitance range	5+2 $\mu$ F to 90+10 $\mu$ F
Capacitance Tol.	$\pm$ 5%(J)
Rated temperature	-40°C ~ +85°C
Rated Voltage (UN)	450 VAC
Reference standards	IS : 2993-1998
Dielectric	Metallized Polypropylene
Safety Approval Mark	S2/P2
Class of Operation	Class-B
Expected life(IS:2993)	10000Hrs (failure rate not exceeding 3 %)
Frequency	50 Hz
Altitude	$\leq$ 2000m
Encapsulation	Encased in Aluminium Round Can filled with resin
Leads	Tin plated Faston terminals
Safety device	Overpressure disconnecter 10K AFC

RoHS Compliance

# Dimension Description



## Specific Data

Description	Value
Maximum tangent of loss angle (Tan $\delta$ )	$\leq 0.002$ at 100Hz
Voltage proof test between leads	2 times of Rated Voltage at 2 Sec. (Routine test)
	2 times of Rated Voltage at 60 Sec. (Type test)
Voltage proof test between lead and case	2000Vac for 60 sec.(Type test)
Insulations resistance or time constant ( $C_R \times R_{IS}$ ) between leads at 500 Vdc	$\geq 3000s$
Maximum Rate of Voltage rise (dv/dt max)	10V/ $\mu s$

## Endurance Test

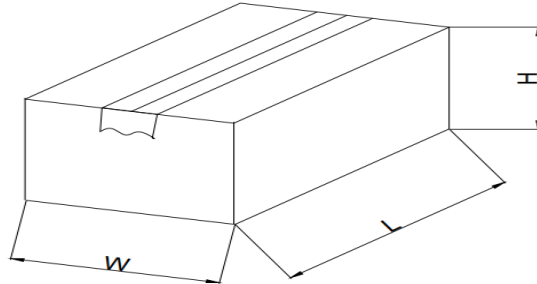
### Test condition:

- Voltage: 1.25 x UN or 1.35 x UN
- Temperature: 85°C
- Duration: 2000Hrs or 1000Hrs

### Test requirements:

- No visible damage
- Change in capacitance:  $\leq 3\%$

## Packing Box



Capacitor Size	L	W	H	Quantity
30x54	335	167	80	50
35x54	335	167	80	50
35x71	335	167	100	50
40x95	250	250	115	25
45x95	250	250	115	25
50x95	280	280	115	25
50x120	280	280	150	25

## Disclaimer

Perform to the offered specifications.

Appropriateness of use in a specific circuit and fitness to a particular application however needs to be verified and its reliability through expected lifetime is required to be validated by the customer. Deki's responsibility is limited to ensuring that the capacitor performs as claimed in the specification/ data sheets provided by Deki. Deki specifically disclaims any implied warranties of fitness for any particular purpose. Liability, in any case is limited to the price paid for the capacitors.