

# COMPONENT SPECIFICATION

**SERIES NAME** Metallized Polypropylene Film Capacitors  
(MPP-AC MOTOR RUN CAPACITOR)  
**DEKI PART NO.** 173 305 J 14 1 B  
**APPLICATION** AC MOTOR RUN FOR AIRCON APPLICATON



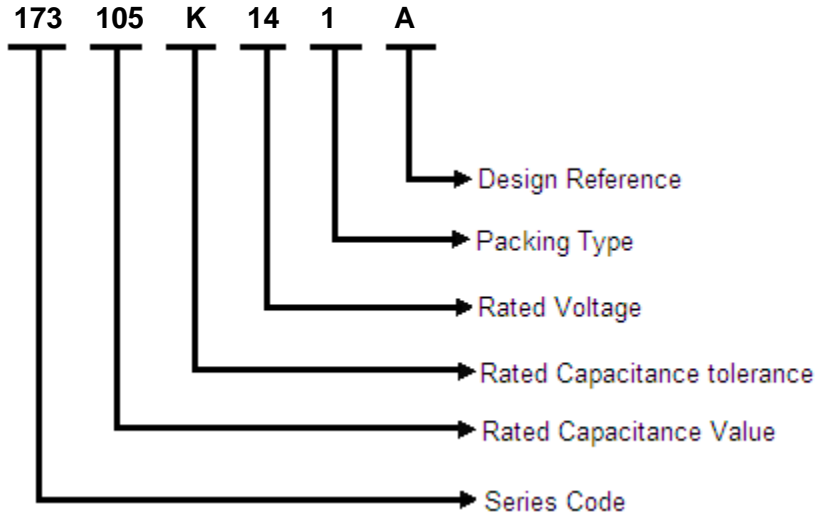
**GIVEN BY:** DEKI ELECTRONICS LTD • **APPROVED BY:** ROHIT

**DEKI ELECTRONICS LTD**

B-20, SECTOR-58, NOIDA 201301

Tel: +91 120 2585457/58 • Fax: +91 120 2585289 • Email: [rd@dekielectronics.com](mailto:rd@dekielectronics.com)

## ITEM CODE DESCRIPTION



Three-digit (104) indicate rated capacitance in Pico Farad (First two digits indicate value & third digit indicates number of zeroes to be suffixed to first two digits).

For example:

103	=	$10 \times 10^3$	=	10000 pF	=	10 nF	=	0.01 $\mu$ F
104	=	$10 \times 10^4$	=	100000 pF	=	100 nF	=	0.1 $\mu$ F
105	=	$10 \times 10^5$	=	1000000 pF	=	1000 nF	=	1 $\mu$ F
106	=	$10 \times 10^6$	=	10000000 pF	=	10000 nF	=	10 $\mu$ F

## Capacitance Tolerance

F =  $\pm 1\%$ , G =  $\pm 2\%$ , H = 2.5%, I =  $\pm 3.5\%$ , J =  $\pm 5\%$ , K =  $\pm 10\%$ , L =  $\pm 15\%$ , M =  $\pm 20\%$ , N =  $\pm 30\%$

## Rated Voltage

One digit and one letter (2J) or two digits indicate rated voltage

## Rated Voltage Codification

For DC Rated Voltage													
A		B		C		D		E		F		G	
1A	10	1B	12.5	1C	16	1D	20	1E	25	1F	30	1G	40
2A	100	2B	125	2C	160	2D	200	2E	250	2F	300	2G	400
3A	1000	3B	1250	3C	1600	3D	2000	3E	2500	3F	3000	3G	4000
H		I		J		K		L		M		N	
1H	50	1I	45	1J	63	1K	70	1L	80	1M	85	1N	90
2H	500	2I	450	2J	630	2K	700	2L	800	2M	850	2N	900
3H	5000	3I	4500	3J	6300	3K	7000	3L	8000	3M	8500	3N	9000
O		P		Q		R		S		T		U	
1O	110	1P	120	1Q	57.5	1R	15	1S	17	1T	70	1U	130
2O	1100	2P	1200	2Q	575	2R	150	2S	170	2T	700	2U	1300
3O	11000	3P	12000	3Q	5750	3R	1500	3S	1700	3T	70000	3U	13000

For AC Rated Voltage													
1	2	3	4	5	6	7	8	9	10	11	12	13	14
190 VAC	250 VAC	275 VAC	305 VAC	310 VAC	440 VAC	500 VAC	600 VAC	700 VAC	63 VAC	230 VAC	330 VAC	400 VAC	450 VAC

## Packing Type

- 1: Bulk packing (original pitch)
- 2: Bulk packing (after forming & cutting)
- 3: Ammo packing (after forming & taping)
- 4: Bulk packing (after forming in original pitch without cut)
- 5: Bulk packing (after formed & without cut)
- 6: Ammo packing (Straight lead)
- 7: Bulk packing (Straight lead cut)
- 8: Reel packing (Straight lead)

## Reference Data

Climatic testing class according to IEC 60068-1	40/85/21
Rated Temperature	85°C
Rated Frequency	50Hz
Reference Standards	IEC 60252-1
Dielectric	Polypropylene
Electrodes	Metallized
Class of safety protection	S3/P2
Self-Healing property	Yes
Construction	Mono
Encapsulation	Incased in flame retardant box
Leads	Tinned wire
Rated AC voltage	450 VAC

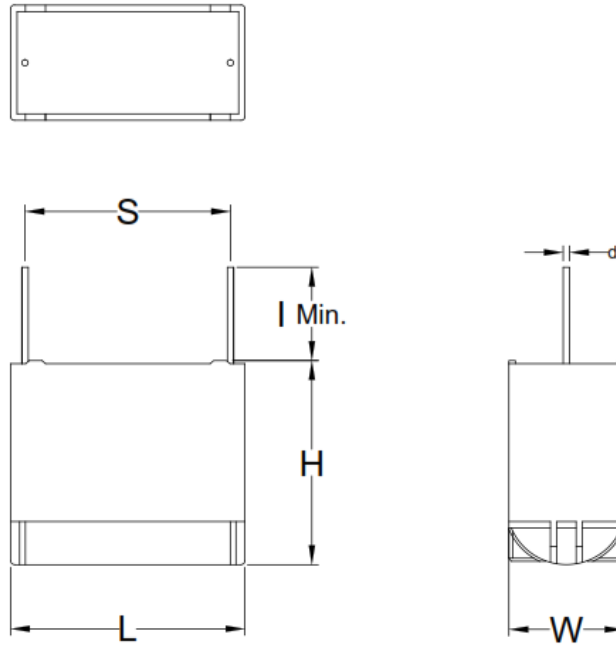
Marking example



Compatibility to RoHS



## Dimension Description



Item Code	Cap. in $\mu\text{F}$	Tolerance	W ( $\pm 1.0$ )	H ( $\pm 1.0$ )	L ( $\pm 1.0$ )	S ( $\pm 0.5$ )	d ( $\pm 0.05$ )	I (Min.)
173 305 J 14 1 B	3.0	$\pm 5\%$	18.5	31.0	36.5	32.0	1.0	15.0

\*All dimension in mm

## Specific Data

Description	Value
Maximum tangent of loss angle	At 1 kHz 0.002
Voltage proof test between leads	2 X Rated Voltage for 2 seconds
IR between leads at 500 VDC	$\geq 1000 \text{ M}\Omega$

## Endurance Test

Loaded at 1.25 times of rated voltage at 85° C for 2000 hours.

### After The Test

$\Delta C/C$  :  $\leq 3\%$  of initial value.

## Storage Conditions

Avoid storing the capacitors in places where the environmental conditions differ from the following:

- Storage time:  $\leq 24$  months from the date marked on the label glued to the package.
- Temperature:  $-40$  to  $80^{\circ}\text{C}$
- Humidity:
  - Average per year:  $\leq 70\%$
  - For 30 full days randomly distributed throughout the year:  $\leq 85\%$
  - Dew: absent

After a longer period of storage or use, the tolerance can increase; but, according to standard specification, it may never exceed twice the value measured at the time of delivery.

## Disclaimer

All our capacitors are designed, manufactured and tested to specifications. We strictly adhere to standards in procurement of materials, in the laid down manufacturing processes and consistently apply stringent process controls and testing parameters. This ensures that our capacitors always perform to the offered specifications.

Appropriateness of use in a specific circuit and fitness to a particular application however needs to be verified and its reliability through expected lifetime is required to be validated by the customer. Deki's responsibility is limited to ensuring that the capacitor performs as claimed in the specification/ data sheets provided by Deki. Deki specifically disclaims any implied warranties of fitness for any particular purpose. Liability, in any case is limited to the price paid for the capacitors.